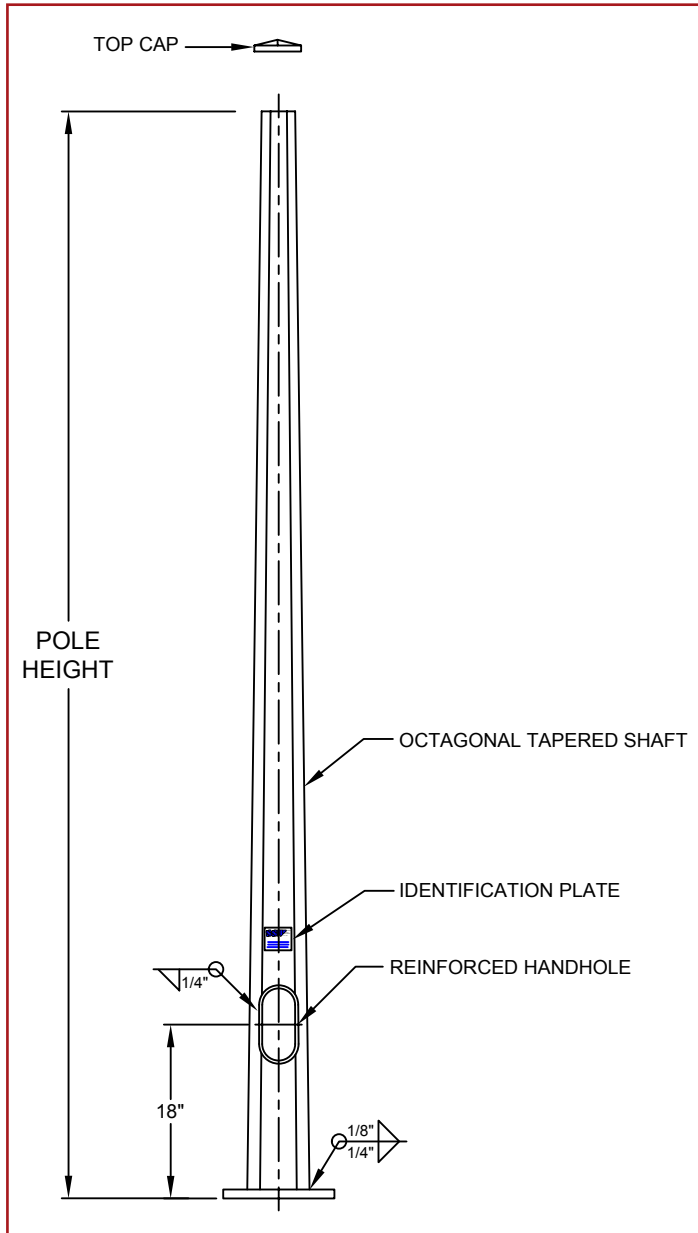
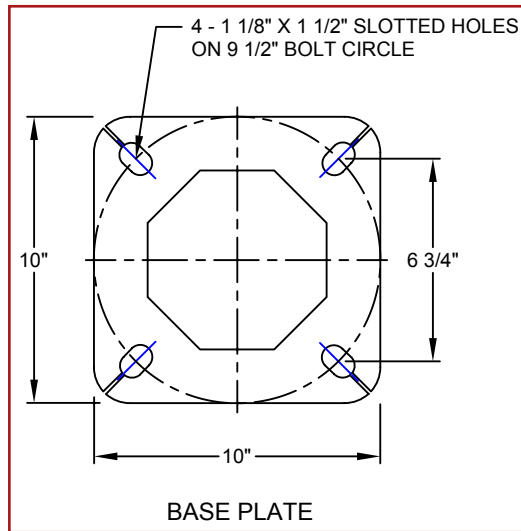


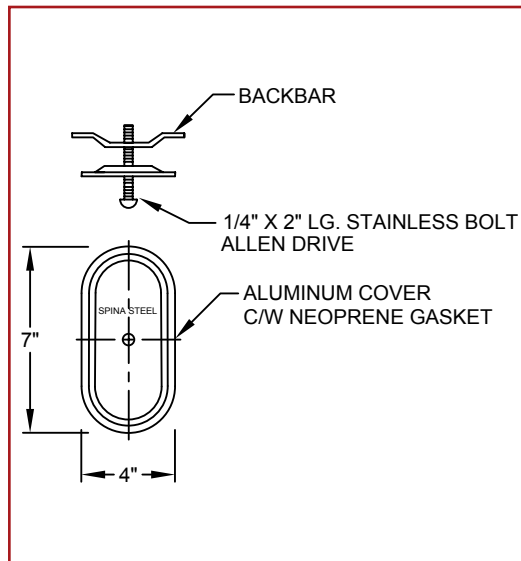
# Octagonal Tapered Steel Traffic Poles



## BASE PLATE



## HANDHOLE COVER



1. SHAFT AND BASE MATERIAL TO CONFORM TO CSA G40.21-98 GRADE 50W.
2. ALL WELDING SHALL BE IN ACCORDANCE WITH CSA W47.1 AND W59.
3. DESIGN REFERENCES CSA S6-00 CANADIAN HIGHWAY BRIDGE DESIGN CODE.
4. POLES MANUFACTURED TO OPSS 2423 SPECIFICATION.
5. AFTER FABRICATION POLES SHALL BE GALVANIZED ACCORDING TO ASTM A 123.

Pole Height	Cat. No.	Weight	Bolt Circle
10' - 0'	OCT-T-10	85 lbs.	9 1/2"
12' - 0'	OCT-T-12	100 lbs.	9 1/2"
15' - 0'	OCT-T-15	130 lbs.	9 1/2"

