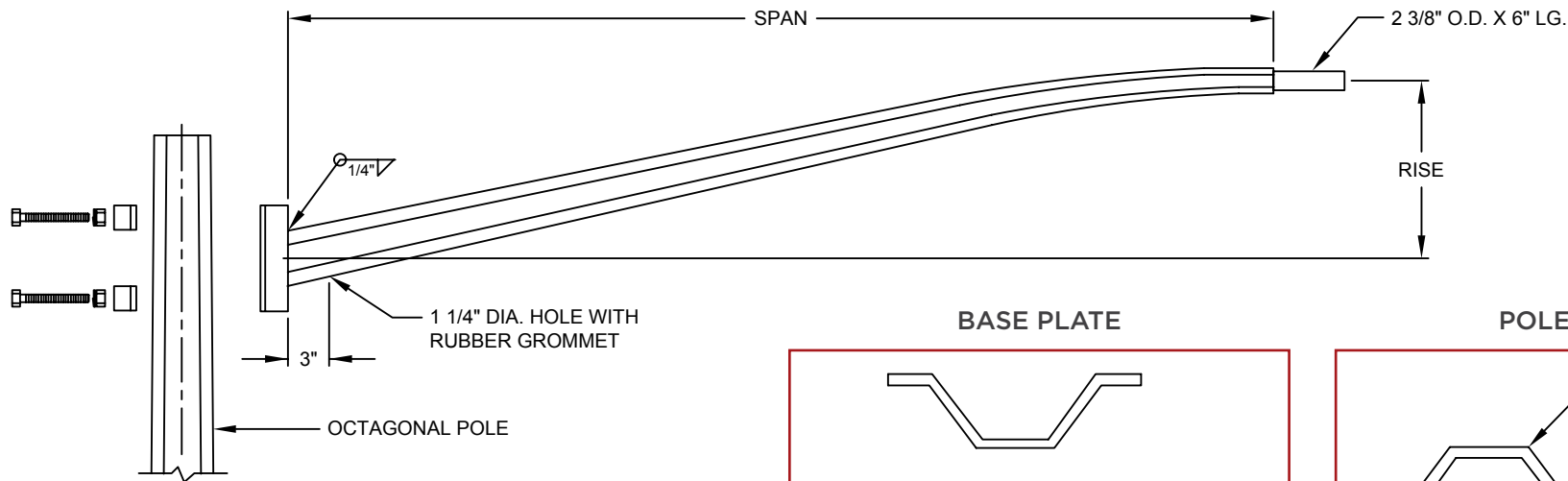
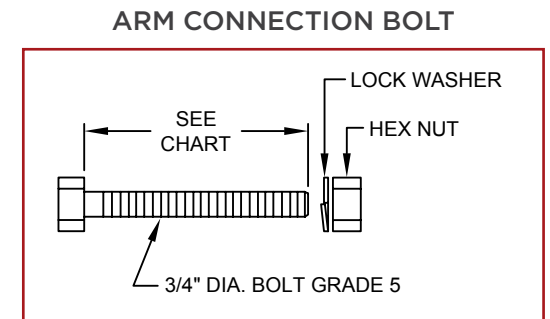
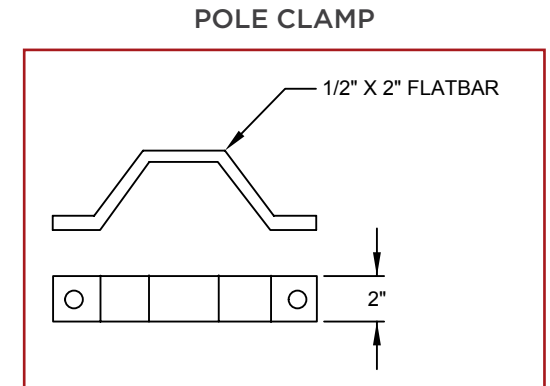
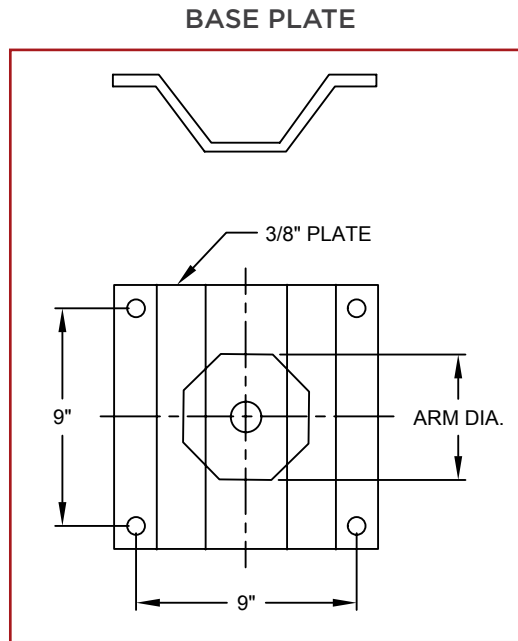


Octagonal Tapered Steel Traffic Arms



Cat. No.	Span	Rise	Arm Dia.	Bolts
OCT-T-A-04	4' - 0"	0' - 7"	4"	3/4" X 5"
OCT-T-A-06	6' - 0"	0' - 11"	4"	3/4" X 5"
OCT-T-A-08	8' - 0"	1' - 3"	4"	3/4" X 5"
OCT-T-A-10	10' - 0"	1' - 7"	5"	3/4" X 5"
OCT-T-A-12	12' - 0"	1' - 10"	5"	3/4" X 5"
OCT-T-A-14	14' - 0"	2' - 2"	5"	3/4" X 5"
OCT-T-A-15	15' - 0"	2' - 4"	5"	3/4" X 5"
OCT-T-A-16	16' - 0"	2' - 6"	5"	3/4" X 7"
OCT-T-A-18	18' - 0"	2' - 10"	6"	3/4" X 7"
OCT-T-A-20	20' - 0"	3' - 2"	6"	3/4" X 7"
OCT-T-A-22	22' - 0"	3' - 6"	7"	3/4" X 7"
OCT-T-A-24	24' - 0"	3' - 6"	7"	3/4" X 7"



APPROVED

1. SHAFT AND BASE MATERIAL TO CONFORM TO CSA G40.21-98 GRADE 50W.
2. ALL WELDING SHALL BE IN ACCORDANCE WITH CSA W47.1 AND W59.
3. FINISH: ARMS AND HARDWARE GALVANIZED TO ASTM A 123.