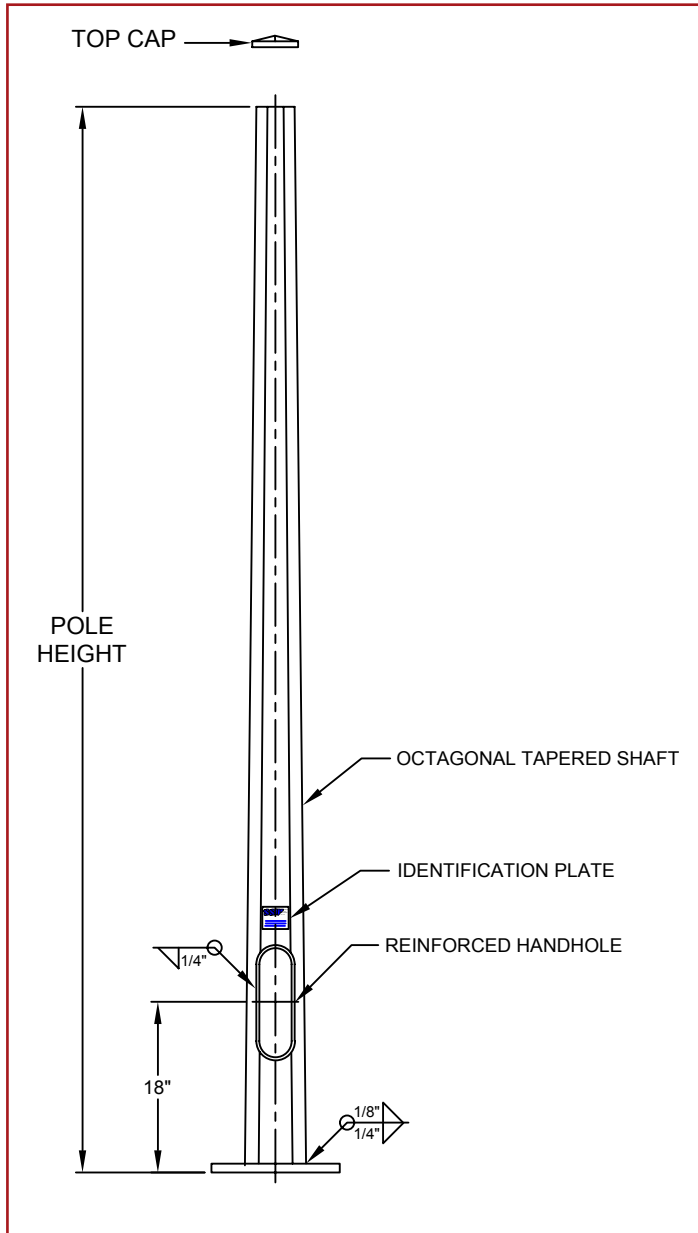
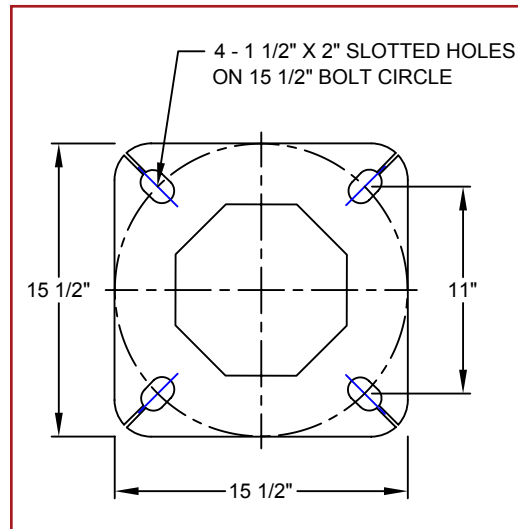


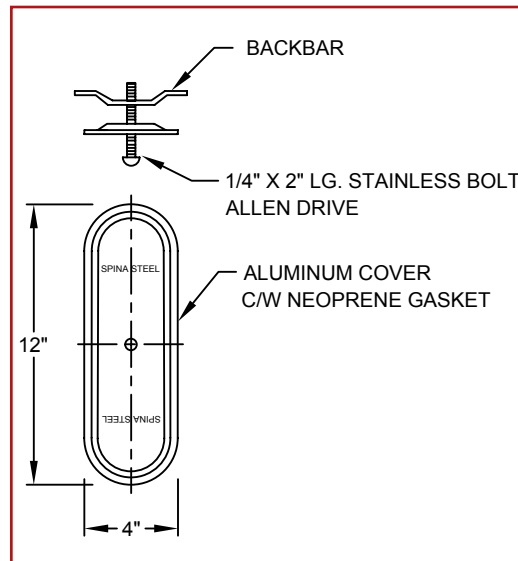
Octagonal Tapered Steel Traffic Poles



BASE PLATE



HANDHOLE COVER



1. SHAFT AND BASE MATERIAL TO CONFORM TO CSA G40.21-98 GRADE 50W.
2. ALL WELDING SHALL BE IN ACCORDANCE WITH CSA W47.1 AND W59.
3. DESIGN REFERENCES CSA S6-00 CANADIAN HIGHWAY BRIDGE DESIGN CODE.
4. POLES MANUFACTURED TO OPSS 2423 SPECIFICATION.
5. AFTER FABRICATION POLES SHALL BE GALVANIZED ACCORDING TO ASTM A 123.

Pole Height	Cat. No.	Weight	Bolt Circle
20' - 0'	OCT-T-20H	280 lbs.	15 1/2"
24' - 0'	OCT-T-24H	310 lbs.	15 1/2"
26' - 0'	OCT-T-26H	325 lbs.	15 1/2"

