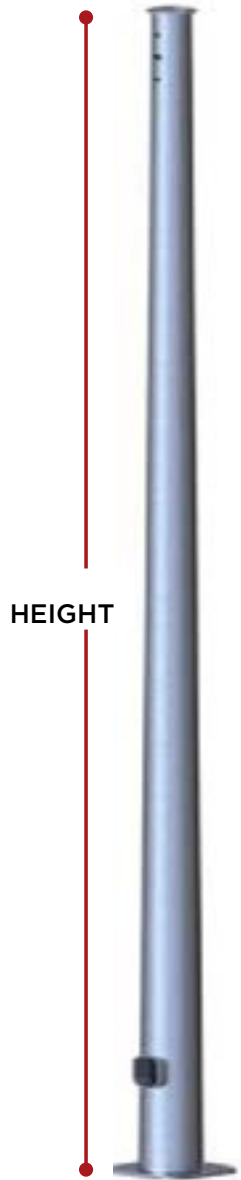
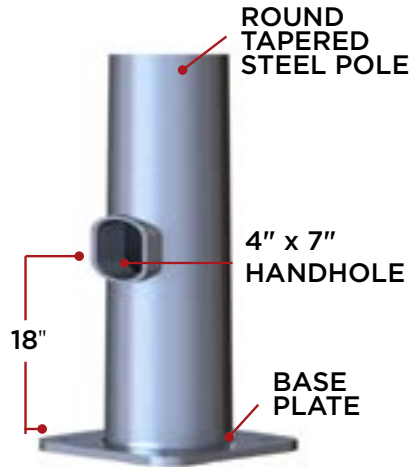


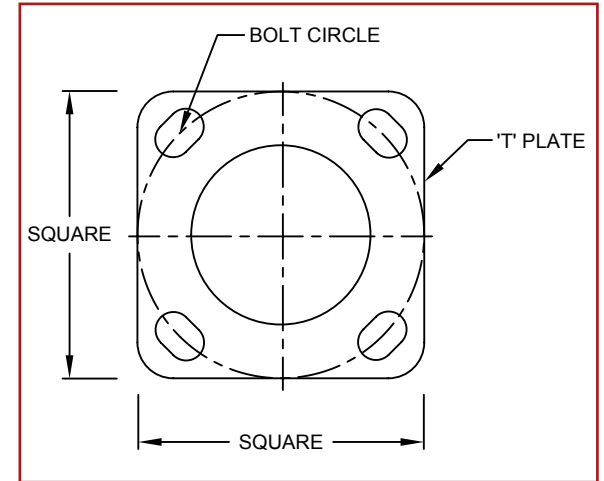
# Round Tapered Steel Poles



TOP TENON



BASE PLATE



HEIGHT

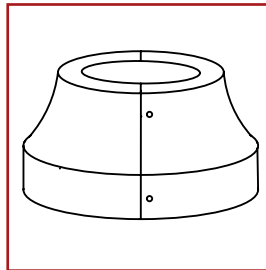
FIXTURE DRILLING



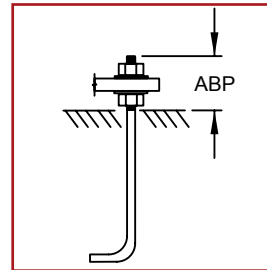
TOP CAP

DRILLING

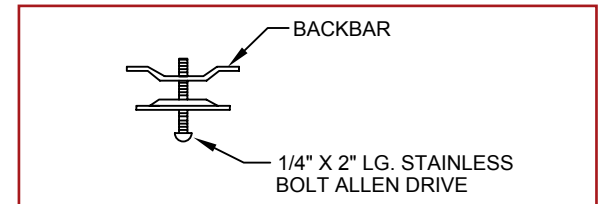
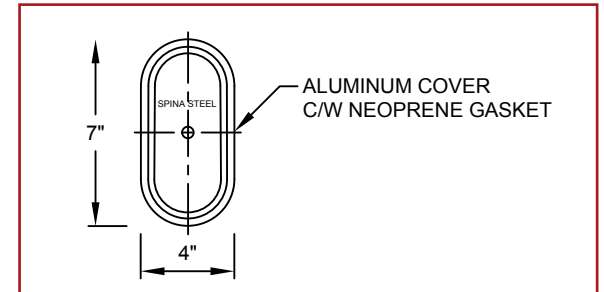
BASE COVER



ANCHOR BOLT



HANDHOLE COVER



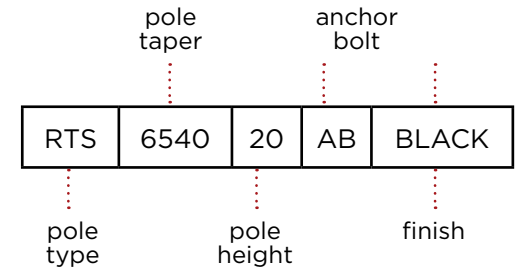
# Round Tapered Steel Poles

Above poles complete with 2 <sup>3</sup>/<sub>8</sub>" O.D. Tenon or 1 Drilling, Base cover and Anchor bolts.

All poles complete with Handhole cover and Ground lug.

**Standard Colours:** Bronze, Black, and White  
**Custom Colours:** Call for Pricing  
**Available Pole Finishes:** Powder Coated  
 Galvanized  
 Galvanized and Powder Coated

## Order Code



Pole Height	Cat. No.	Weight	BCD	Base Plate Square	Anchor Bolt Size	Anchor Bolt Weight/Set	Max. EPA# 80MPH	Max. EPA# 100MPH
20'	RTS-6540-20-AB-	150 lbs.	10"	10" X 10"	<sup>3</sup> / <sub>4</sub> " X 24"	16 lbs.	10 sq. ft.	6 sq. ft.
24'	RTS-7040-24-AB	190 lbs.	11"	11" X 11"	<sup>3</sup> / <sub>4</sub> " X 24"	16 lbs.	8 sq. ft.	4.5 sq. ft.
27'	RTS-7440-27-AB-	240 lbs.	11"	11" X 11"	<sup>7</sup> / <sub>8</sub> " X 30"	24 lbs.	10 sq. ft.	6 sq. ft.
30'	RTS-8040-30-AB-	280 lbs.	12"	12" X 12"	1" X 34"	36 lbs.	9.5 sq. ft.	5.5 sq. ft.
35'	RTS-8540-35-AB-	340 lbs.	13"	13" X 13"	1" X 34"	36 lbs.	8 sq. ft.	7 sq. ft.
37'	RTS-8740-37-AB-	380 lbs.	13"	13" X 13"	1" X 34"	36 lbs.	8 sq. ft.	7 sq. ft.
40'	RTS-9040-40-AB-	400 lbs.	13"	13" X 13"	1 <sup>4</sup> / <sub>8</sub> " X 48"	72 lbs.	7 sq. ft.	5 sq. ft.



## SPINA'S STEEL WORKERS CO. LTD.

229 Wilkinson Road, Brampton, ON L6T 4M2 Tel: 905.453.2111 Fax: 905.453.8334 [spinasteel.com](http://spinasteel.com)