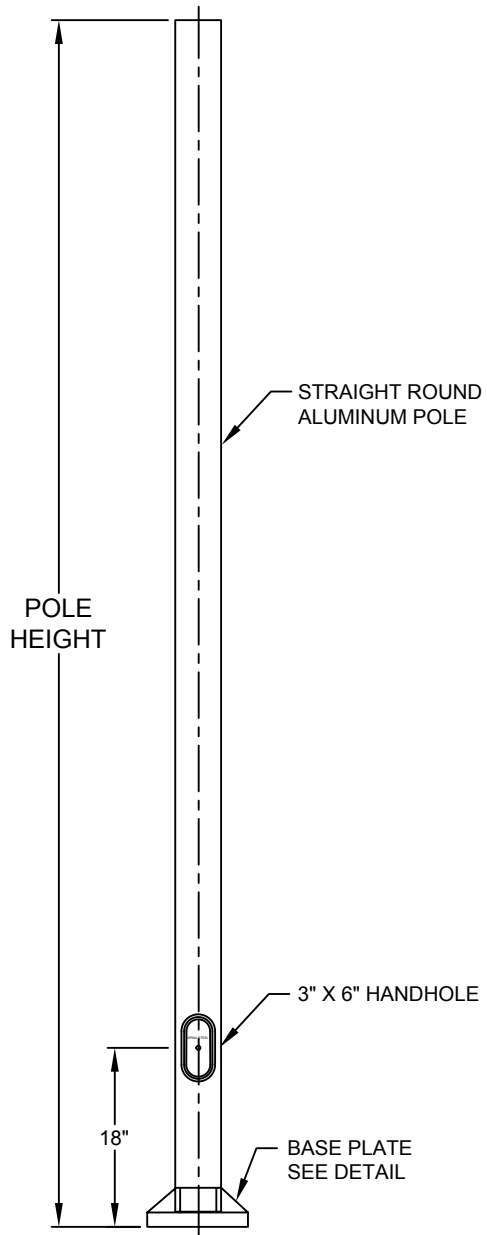
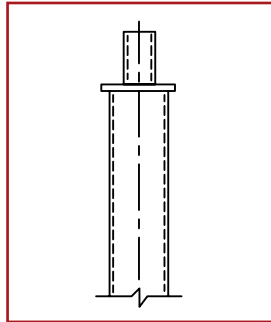


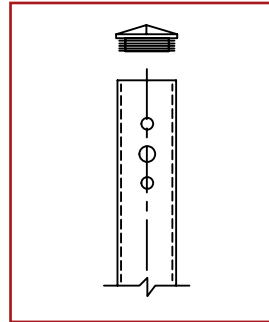
Straight Round Aluminum Poles



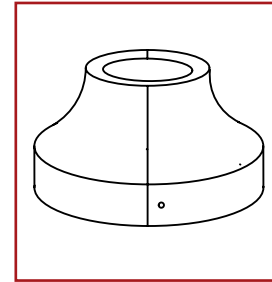
TOP TENON



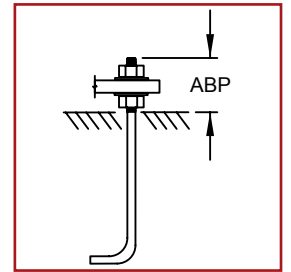
FIXTURE DRILLING



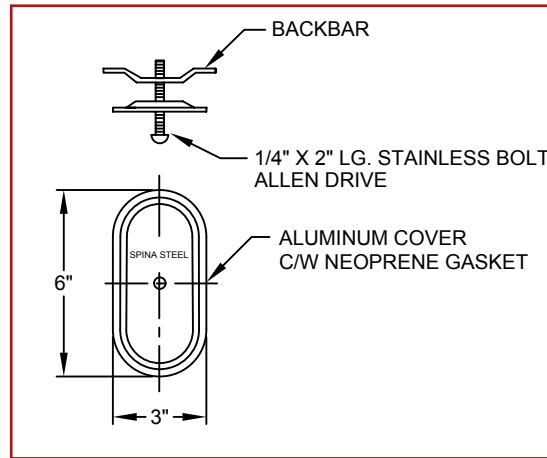
ANCHOR BOLT



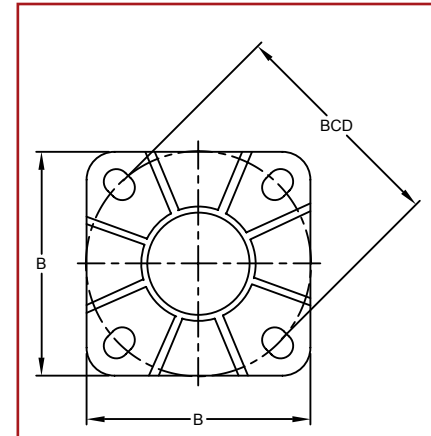
ANCHOR BOLT



HANDHOLE COVER



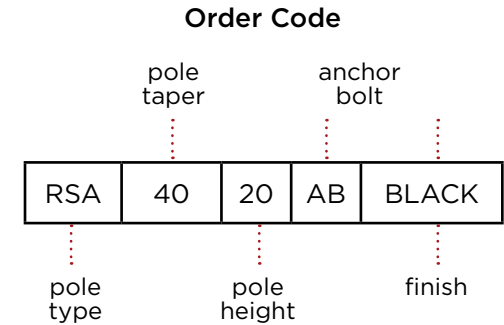
BASE PLATE



APPROVED

Straight Round Aluminum Poles

1. ALUMINUM TUBING SHALL CONFORM TO 6061 - T6.
2. CAST BASE SHALL CONFORM TO 6063 - T6.
3. ALL WELDING SHALL BE IN ACCORDANCE WITH CSA W47.2.
4. DESIGNED FOR A MAXIMUM EPA AT 70 MPH WIND SPEED AND 1.3 GUST FACTOR.
5. DESIGNED FOR A EFFECTIVE PROJECTED AREA. (EPA) - SEE CHART
6. ANCHOR BOLTS FROM BAR STOCK CONFORMING TO CSA G40.21-98 GRADE 50W.
- 7 FINISH:



Pole Height	Cat. No.	Weight	Anchor Bolts	BCD	ABP	Max. EPA#
10' - 0"	RSA-4010	39 lbs.	3/4" X 24"	8"	3"	8 sq. ft.
12' - 0"	RSA-4012	46 lbs.	3/4" X 24"	8"	3"	8 sq. ft.
15' - 0"	RSA-4015	55 lbs.	3/4" X 24"	8"	3"	5 sq. ft.
20' - 0"	RSA-4020	71 lbs.	3/4" X 24"	8"	3"	3 sq. ft.
20' - 0"	RSA-5020	100 lbs.	7/8" X 30"	9"	3"	4 sq. ft.
24' - 0"	RSA-5024	116 lbs.	7/8" X 30"	9"	3"	3 sq. ft.