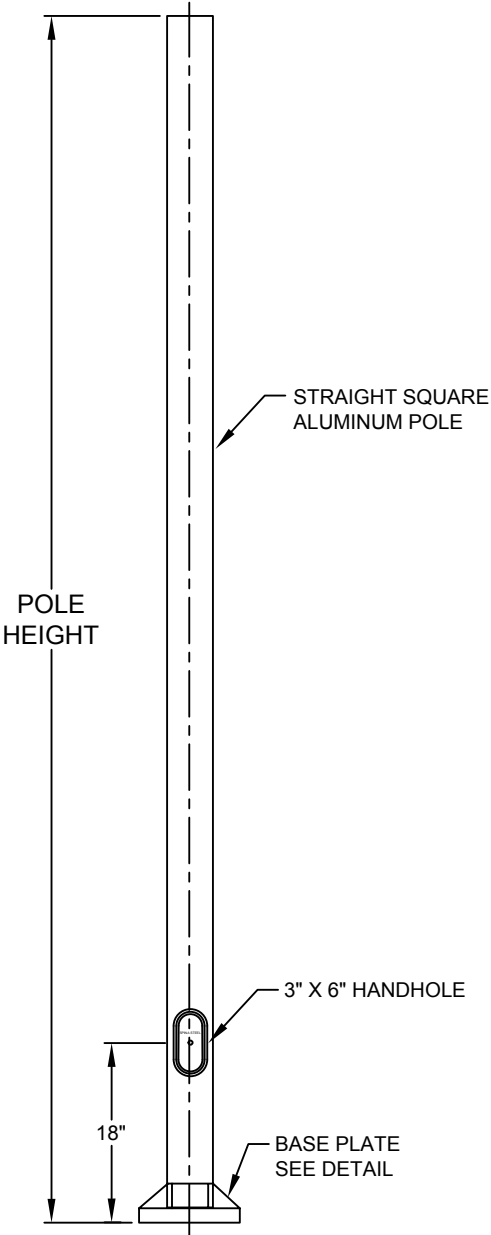
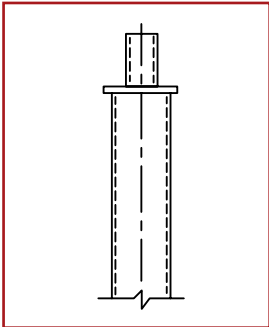


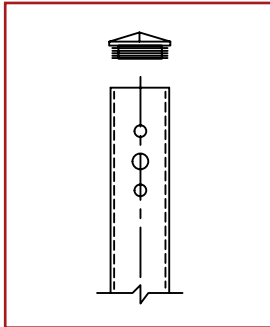
Straight Square Aluminum Poles



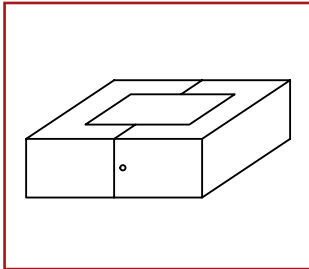
TOP TENON



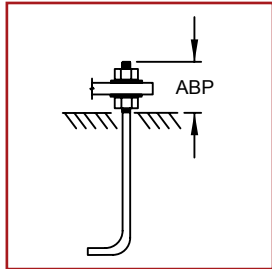
FIXTURE DRILLING



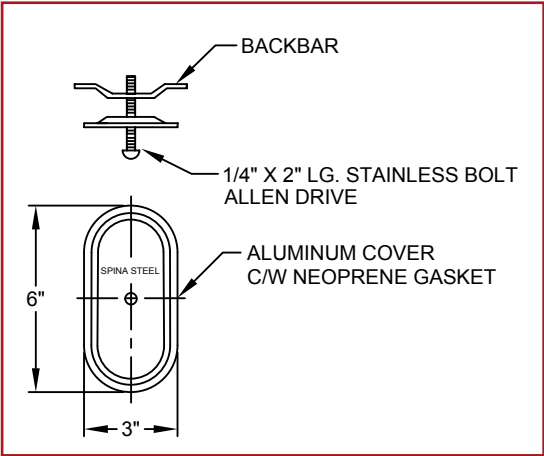
BASE COVER



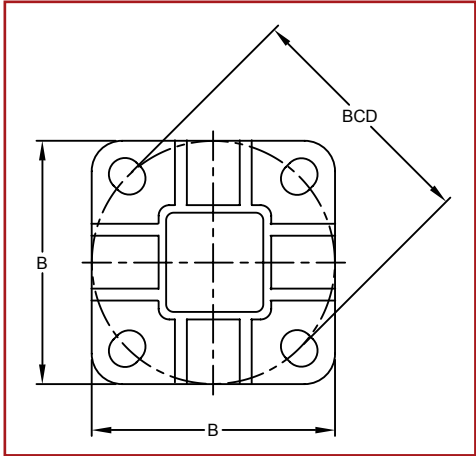
ANCHOR BOLT



HANDHOLE COVER



BASE PLATE

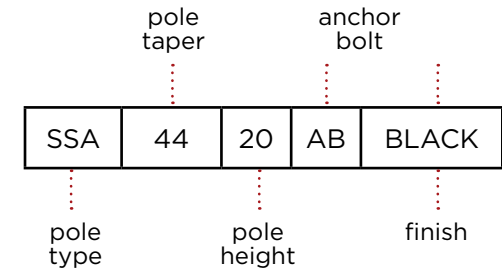


APPROVED

Straight Square Aluminum Poles

1. ALUMINUM TUBING SHALL CONFORM TO 6061 - T6.
2. CAST BASE SHALL CONFORM TO 6063 - T6.
3. ALL WELDING SHALL BE IN ACCORDANCE WITH CSA W47.2.
4. DESIGNED FOR A MAXIMUM EPA AT 70 MPH WIND SPEED AND 1.3 GUST FACTOR.
5. DESIGNED FOR A EFFECTIVE PROJECTED AREA. (EPA) - SEE CHART
6. ANCHOR BOLTS FROM BAR STOCK CONFORMING TO CSA G40.21-98 GRADE 50W.
- 7 FINISH:

Order Code



| Pole Height | Cat. No. | Weight | Anchor Bolts | BCD | ABP | Max. EPA# |
|-------------|----------|----------|-----------------------|--------------------|-----|-----------|
| 10' - 0" | SSA-4410 | 51 lbs. | $\frac{3}{4}$ " X 24" | 8" | 3" | 8 sq. ft. |
| 12' - 0" | SSA-4412 | 60 lbs. | $\frac{3}{4}$ " X 24" | 8" | 3" | 8 sq. ft. |
| 15' - 0" | SSA-4415 | 73 lbs. | $\frac{3}{4}$ " X 24" | 8" | 3" | 8 sq. ft. |
| 20' - 0" | SSA-4420 | 96 lbs. | $\frac{3}{4}$ " X 24" | 8" | 3" | 5 sq. ft. |
| 20' - 0" | SSA-5520 | 122 lbs. | $\frac{7}{8}$ " X 30" | 10 $\frac{1}{2}$ " | 3" | 8 sq. ft. |
| 24' - 0" | SSA-5524 | 145 lbs. | $\frac{7}{8}$ " X 30" | 10 $\frac{1}{2}$ " | 3" | 5 sq. ft. |

SPINA'S STEEL WORKERS CO. LTD.

229 Wilkinson Road, Brampton, ON L6T 4M2 Tel: 905.453.2111 Fax: 905.453.8334 spinasteel.com