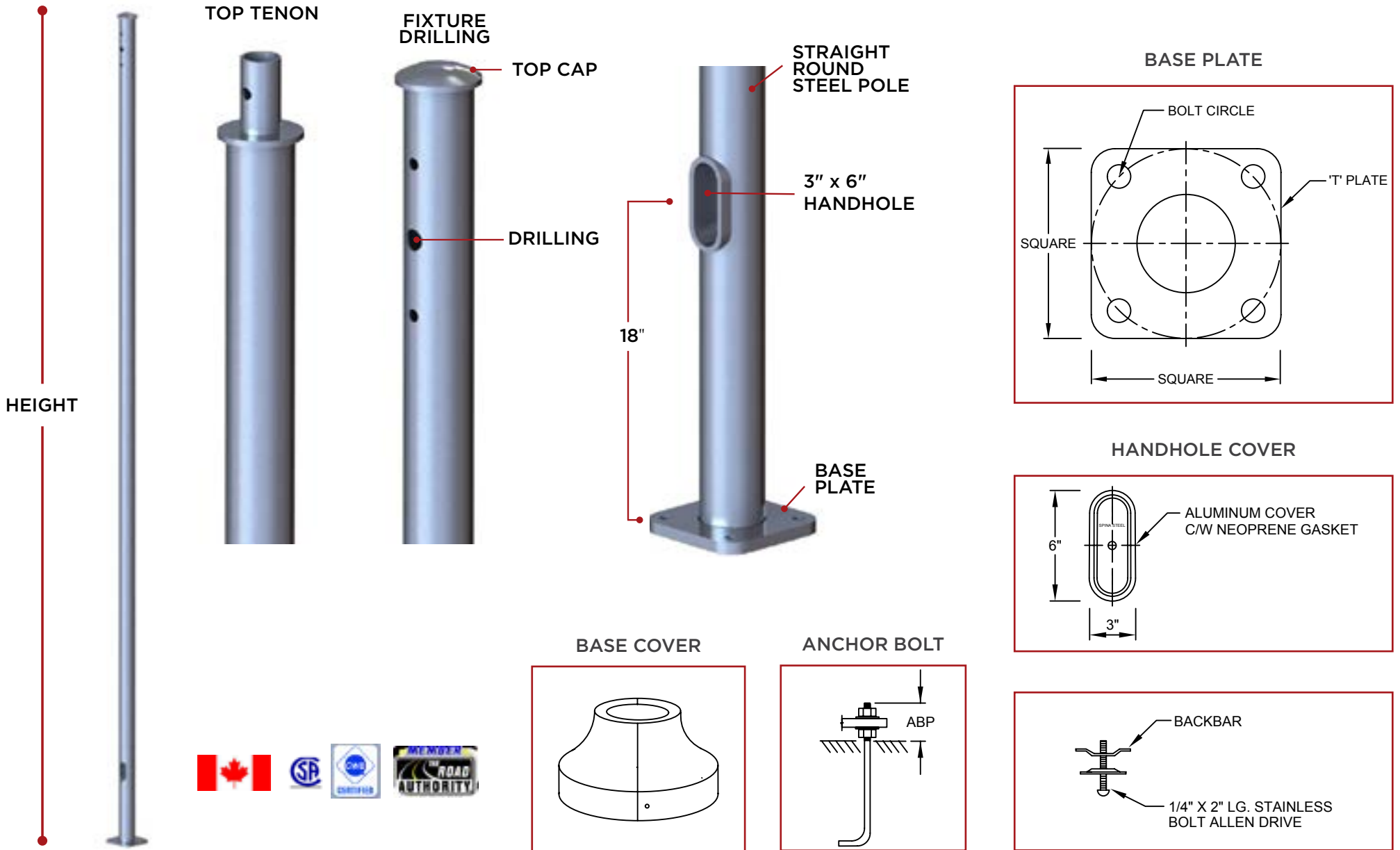


# Straight Round Steel Poles



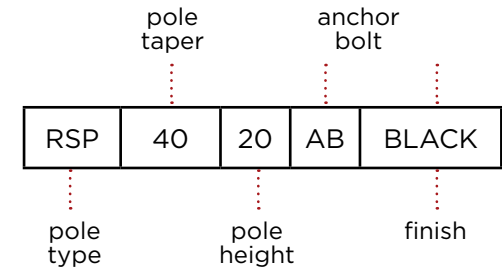
# Straight Round Steel Poles

Above poles complete with 2 3/8" O.D. Tenon or 1 Drilling, Base cover and Anchor bolts.

All poles complete with Handhole cover and Ground lug.

**Standard Colours:** Bronze, Black, and White  
**Custom Colours:** Call for Pricing  
**Available Pole Finishes:** Powder Coated  
 Galvanized  
 Galvanized and Powder Coated

## Order Code



Pole Height	Cat. No.	Weight	BCD	Base Plate Square	Anchor Bolt Size	Anchor Bolt Weight/Set	Max. EPA# 80MPH	Max. EPA# 100MPH
8'	RSP-3008-AB-	40 lbs.	7"	7" X 7"	5/8" X 18"	10 lbs.	6 sq. ft.	5 sq. ft.
10'	RSP-3010-AB-	52 lbs.	7"	7" X 7"	5/8" X 18"	10 lbs.	4.5 sq. ft.	4 sq. ft.
10'	RSP-4010-AB	70 lbs.	8"	8" X 8"	3/4" X 24"	16 lbs.	8.5 sq. ft.	7.5 sq. ft.
12'	RSP-4012-AB-	85 lbs.	8"	8" X 8"	3/4" X 24"	16 lbs.	7 sq. ft.	5 sq. ft.
15'	RSP-4015-AB-	105 lbs.	8"	8" X 8"	3/4" X 24"	16 lbs.	5 sq. ft.	3.5 sq. ft.
20'	RSP-4020-AB-	128 lbs.	8"	8" X 8"	2/4" X 24"	16 lbs.	2.5 sq. ft.	1.5 sq. ft.
24'	RSP-4024-AB-	202 lbs.	8"	8" X 8"	7/8" X 30"	24 lbs.	3 sq. ft.	2 sq. ft.
20'	RSP-5020-AB-	170 lbs.	10"	10" X 10"	7/8" X 30"	24 lbs.	6 sq. ft.	4 sq. ft.
24'	RSP-5024-AB-	261 lbs.	10"	10" X 10"	1" X 34"	36 lbs.	6 sq. ft.	5 sq. ft.
27'	RSP-5027-AB-	290 lbs.	10"	10" X 10"	1" X 34"	36 lbs.	4.5 sq. ft.	3.5 sq. ft.
30'	RSP-5030-AB-	320 lbs.	10"	10" X 10"	1" X 34"	36 lbs.	3 sq. ft.	2 sq. ft.
35'	RSP-6035-AB-	570 lbs.	10"	10" X 10"	1" X 34"	36 lbs.	6 sq. ft.	4.5 sq. ft.



## SPINA'S STEEL WORKERS CO. LTD.

229 Wilkinson Road, Brampton, ON L6T 4M2 Tel: 905.453.2111 Fax: 905.453.8334 [spinasteel.com](http://spinasteel.com)