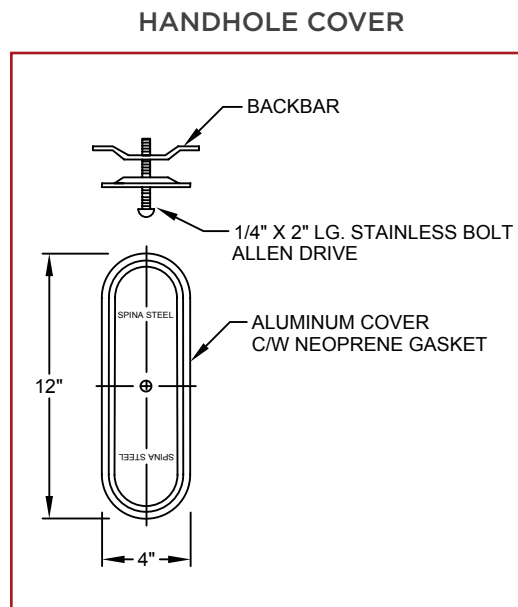
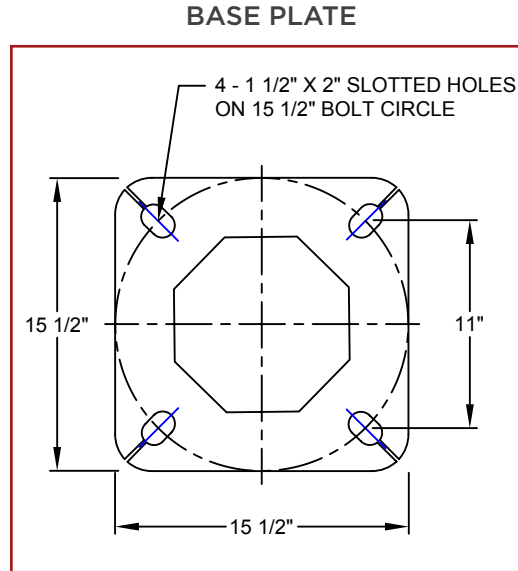
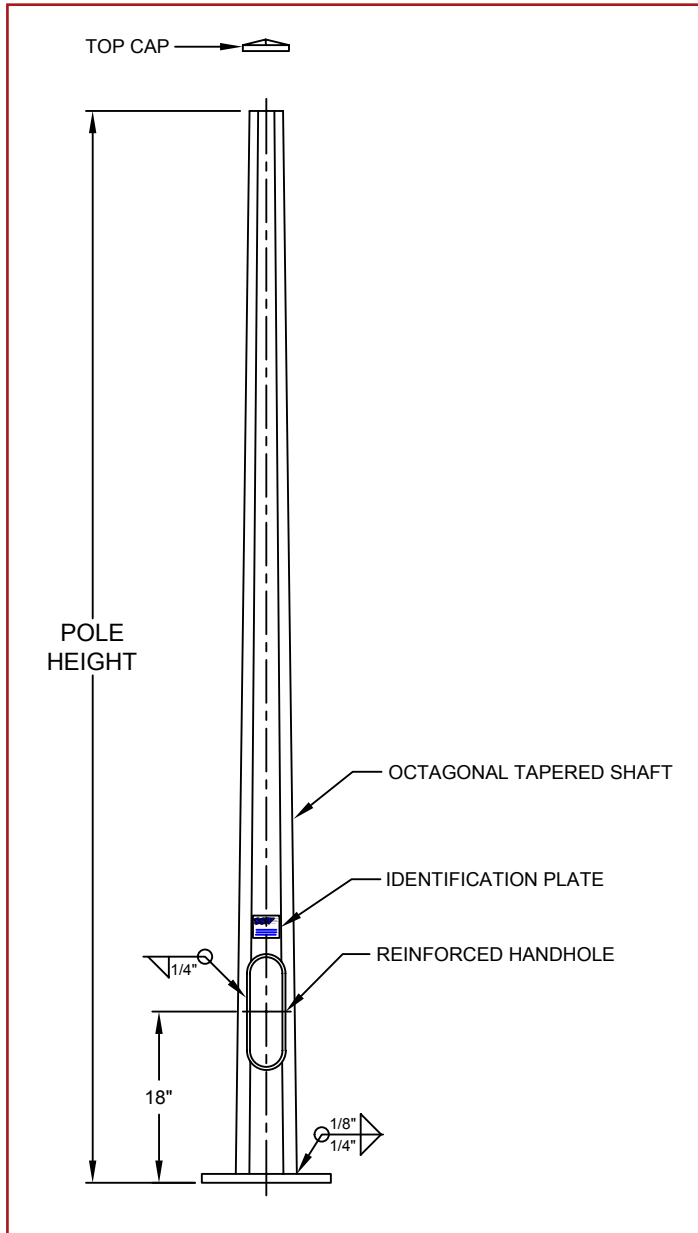


Octagonal Tapered Steel Traffic Poles



1. SHAFT AND BASE MATERIAL TO CONFORM TO CSA G40.21-98 GRADE 50W.
2. ALL WELDING SHALL BE IN ACCORDANCE WITH CSA W47.1 AND W59.
3. DESIGN REFERENCES CSA S6-00 CANADIAN HIGHWAY BRIDGE DESIGN CODE.
4. POLES MANUFACTURED TO OPSS 2423 SPECIFICATION.
5. AFTER FABRICATION POLES SHALL BE GALVANIZED ACCORDING TO ASTM A 123.

Pole Height	Cat. No.	Weight	Bolt Circle
15' - 0"	OCT-T-15-T	151 lbs.	15 1/2"
20' - 0"	OCT-T-20	190 lbs.	15 1/2"
24' - 0"	OCT-T-24	230 lbs.	15 1/2"
26' - 0"	OCT-T-26	270 lbs.	15 1/2"
30' - 0"	OCT-T-30	380 lbs.	15 1/2"
35' - 0"	OCT-T-35	440 lbs.	15 1/2"
40' - 0"	OCT-T-40	500 lbs.	15 1/2"
45' - 0"	OCT-T-45	562 lbs.	15 1/2"

