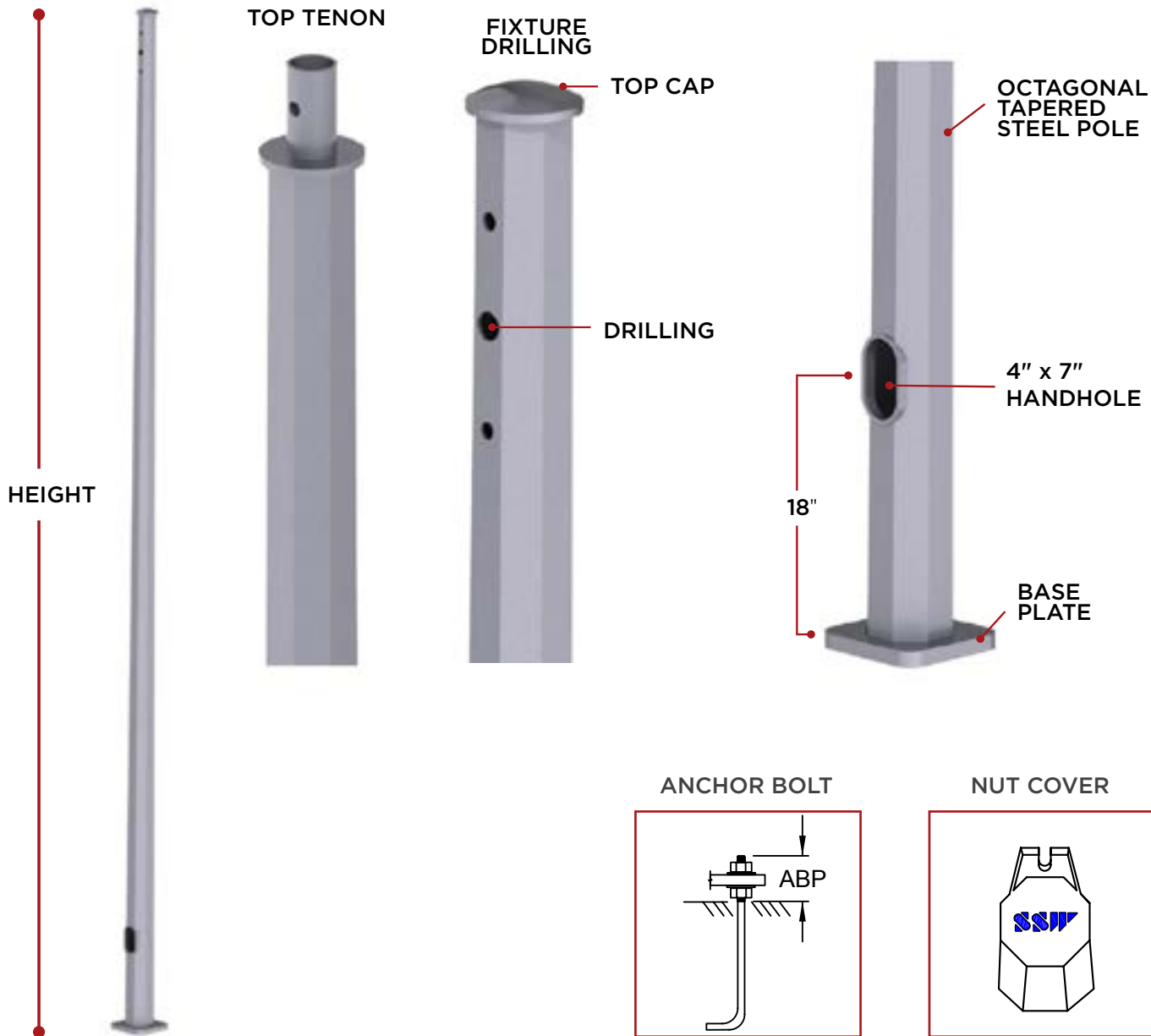
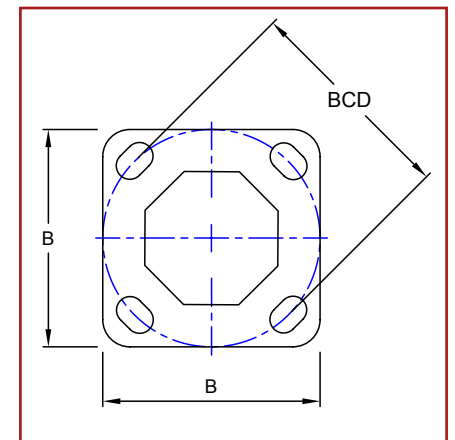


Octagonal Tapered Steel Poles



BASE PLATE



Octagonal Tapered Steel Poles

Above poles complete with 2" Tenon or 1 drilling, nut covers and anchor bolts

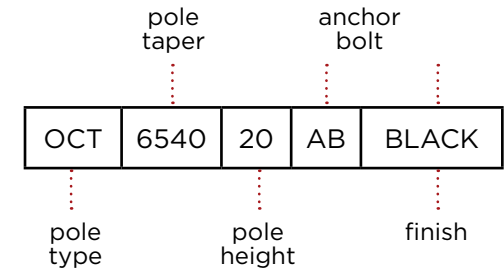
All poles complete with handhold cover and ground lug

Standard Colours: Bronze and Black
Custom Colours: Call for Pricing
For Arm and Bullhorns: Refer to Brackets & Cross Arms
 Extra Drilling
 Duplex Outlet

Applicable Taxes Extra
 Freight not included - F.O.B. Brampton, Ontario

Pole Height	Cat. No.	Weight	Anchor Bolts	BCD	ABP	Max. EPA#
20' - 0'	OCT-6540-20	180 lbs.	3/4" X 24"	10"	3"	10 sq. ft.
24' - 0'	OCT-7540-24	220 lbs.	3/4" X 24"	11"	3"	10 sq. ft.
27' - 0'	OCT-7840-27	250 lbs.	7/8" X 24"	11"	3"	10 sq. ft.
30' - 0'	OCT-8040-30	285 lbs.	1" X 34"	12"	4"	10 sq. ft.
35' - 0'	OCT-8740-35	350 lbs.	1" X 34"	13"	4"	10 sq. ft.
40' - 0'	OCT-9040-40	440 lbs.	1 1/4" X 48"	14"	5"	10 sq. ft.

Order Code



SPINA'S STEEL WORKERS CO. LTD.

229 Wilkinson Road, Brampton, ON L6T 4M2 Tel: 905.453.2111 Fax: 905.453.8334 spinasteel.com