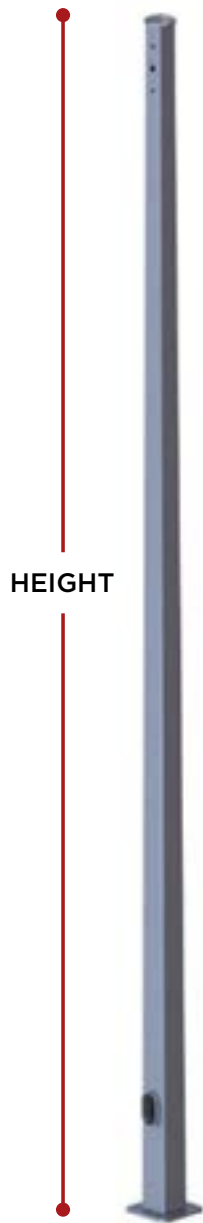


Square Tapered Steel Poles



TOP TENON



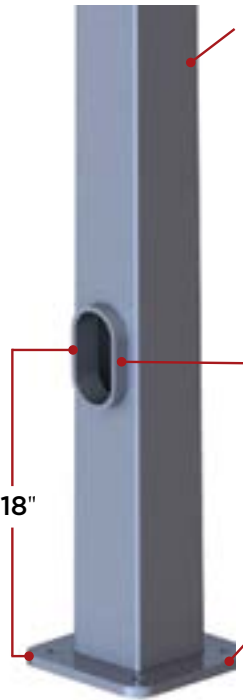
FIXTURE DRILLING



TOP CAP

DRILLING

SQUARE TAPERED STEEL POLE

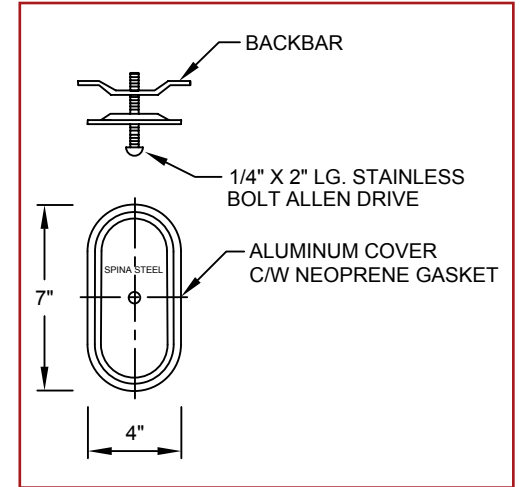


4" x 7" HANDHOLE

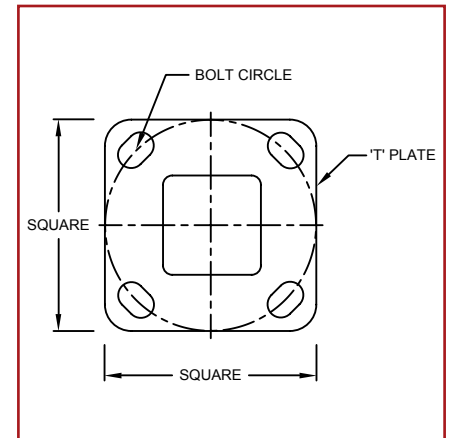
BASE PLATE

18"

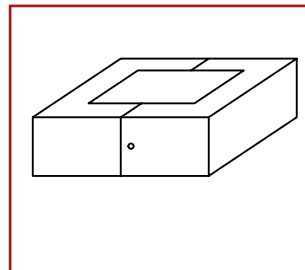
HANDHOLE COVER



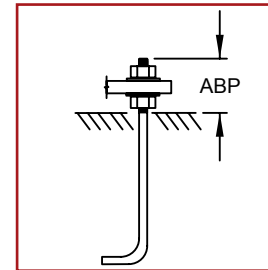
BASE PLATE



BASE COVER



ANCHOR BOLT



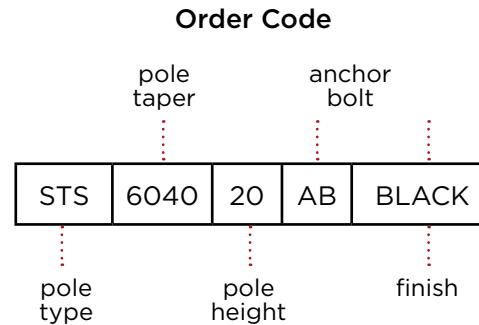
APPROVED

Square Tapered Steel Poles

Above poles complete with 2 $\frac{3}{8}$ " O.D. Tenon or 1 Drilling, Base cover and Anchor bolts.

All poles complete with handhold cover and ground lug.

Standard Colours: Bronze, Black, and White
Custom Colours: Call for Pricing
Available Pole Finishes: Powder Coated
 Galvanized
 Galvanized and Powder Coated



Pole Height	Cat. No.	Weight	BCD	Base Plate Square	Anchor Bolt Size	Anchor Bolt Weight/Set	ABP	Max. EPA# 80MPH	Max. EPA# 100MPH
20'	STS-6040-20-AB	160 lbs.	10"	11" X 11"	$\frac{3}{4}$ " X 24"	16 lbs.	3"	7.5 sq. ft.	3 sq. ft.
24'	STS-6540-24-AB	220 lbs.	11"	12" X 12"	$\frac{7}{8}$ " X 30"	24 lbs.	3"	9 sq. ft.	3.5 sq. ft.
27'	STS-7040-27-AB-	280 lbs.	11"	12" X 12"	1" X 34"	36 lbs.	3"	9 sq. ft.	3.5 sq. ft.
30'	STS-7540-30-AB	340 lbs.	12"	13" X 13"	1" X 34"	36 lbs.	4"	10 sq. ft.	3.5 sq. ft.
35'	STS-8040-35-AB	392 lbs.	13"	14" X 14"	1" X 34"	36 lbs.	4"	13.5 sq. ft.	6 sq. ft.
40'	STS-9040-40-AB-	648 lbs.	14"	16" X 16"	1 $\frac{1}{4}$ " X 48"	72 lbs.	5"	18.5 sq. ft.	7.5 sq. ft.

SPINA'S STEEL WORKERS CO. LTD.

229 Wilkinson Road, Brampton, ON L6T 4M2 Tel: 905.453.2111 Fax: 905.453.8334 spinasteel.com