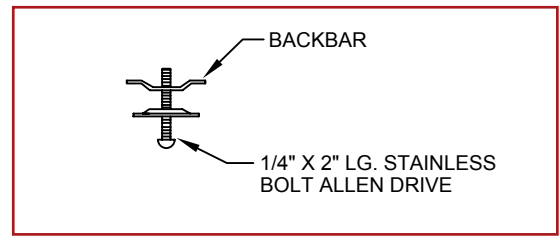
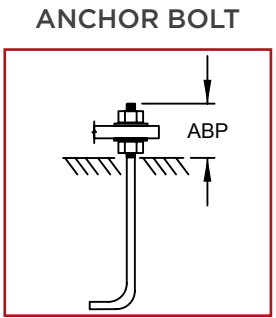
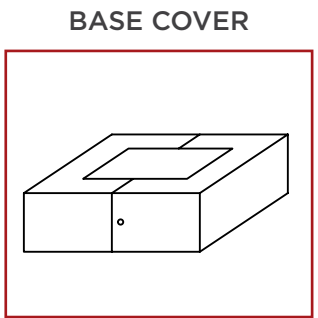
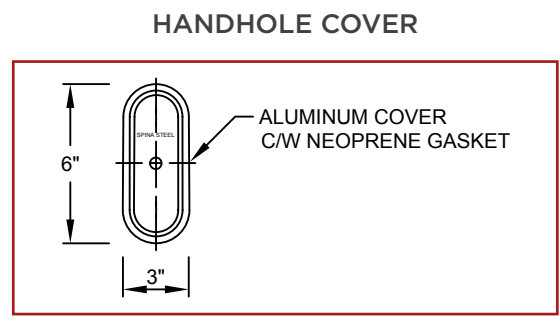
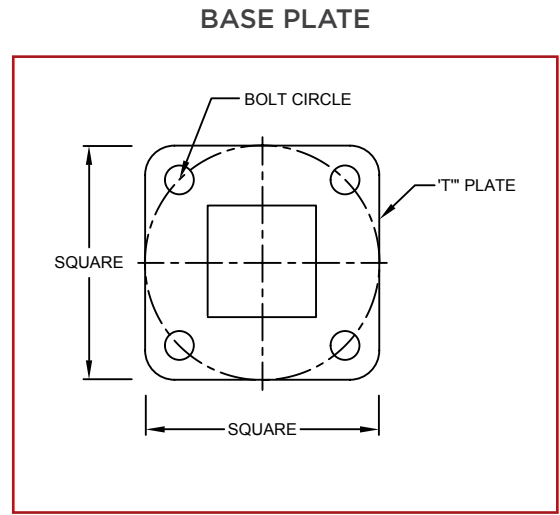
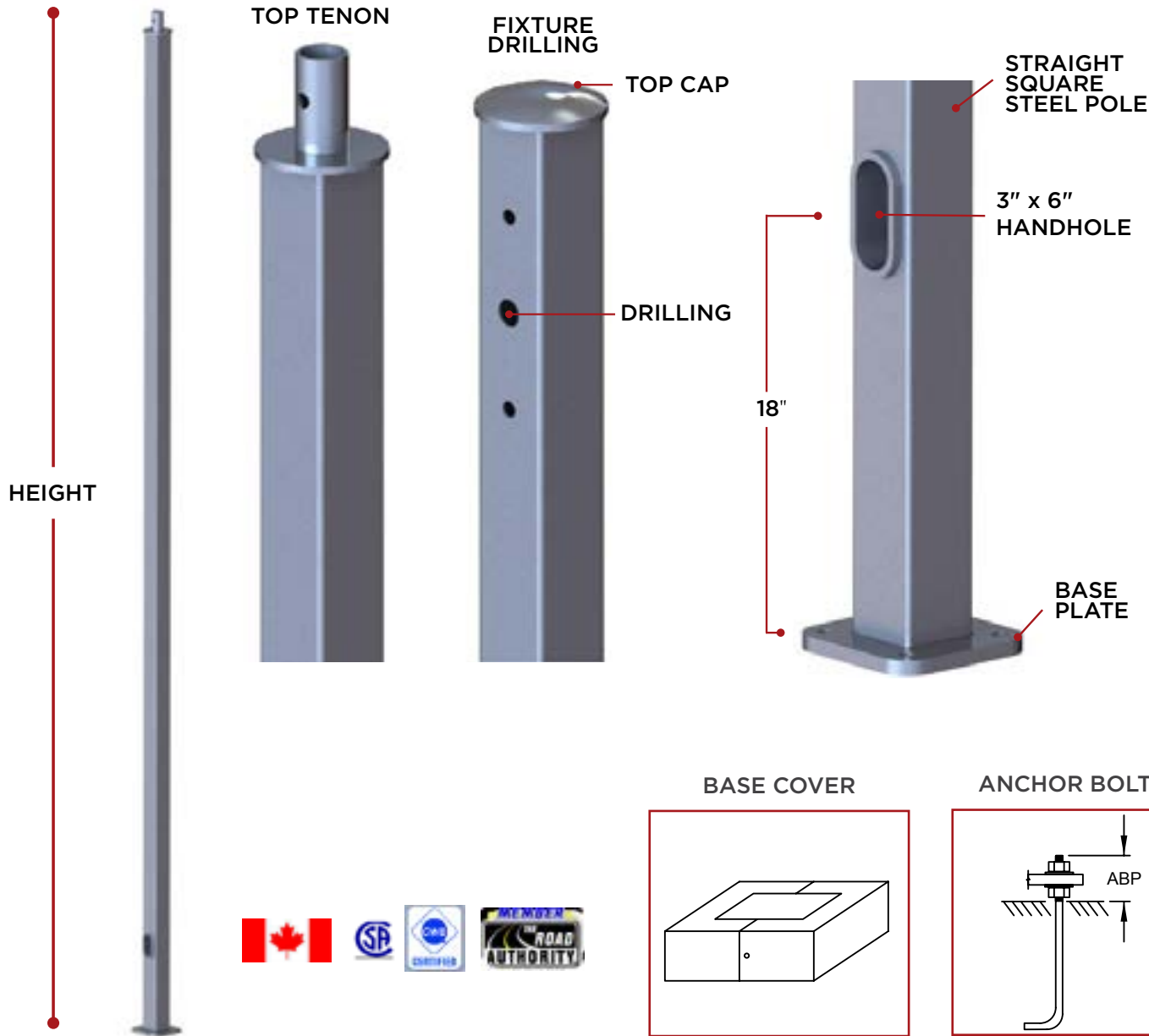


Straight Square Steel Poles



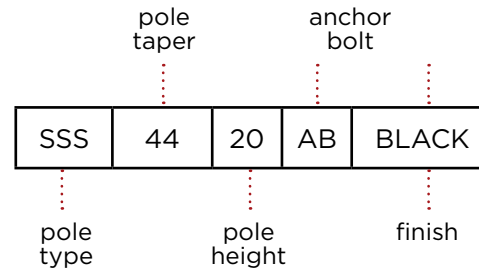
Straight Square Steel Poles

Above poles complete with 2 3/8" O.D. Tenon or 1 Drilling, Base cover and Anchor bolts.

Applicable Taxes Extra
Freight not included - F.O.B. Brampton, Ontario

Standard Colours: Bronze, Black, and White
Custom Colours: Call for Pricing
Available Pole Finishes: Powder Coated
 Galvanized
 Galvanized and Powder Coated

Order Code



Pole Height	Cat. No.	Weight	BCD	Base Plate Square	Anchor Bolt Size	Anchor Bolt Weight/Set	Max. EPA# 80MPH	Max. EPA# 100MPH
10'	SSS-4410-AB-	80 lbs.	8"	8" X 8"	3/4" X 24"	16 lbs.	16.5 sq. ft.	10.5 sq. ft.
12'	SSS-4412-AB-	94 lbs.	8"	8" X 8"	3/4" X 24"	16 lbs.	11.5 sq. ft.	7 sq. ft.
15'	SSS-4415-AB-	114 lbs.	8"	8" X 8"	3/4" X 24"	16 lbs.	8.5 sq. ft.	4.5 sq. ft.
20'	SSS-4420-AB-	150 lbs.	8"	8" X 8"	3/4" X 24"	16 lbs.	4.5 sq. ft.	1.5 sq. ft.
24'	SSS-4424-AB-	235 lbs.	8"	8" X 8"	7/8" X 30"	24 lbs.	6 sq. ft.	3.5 sq. ft.
20'	SSS-5520-AB-	190 lbs.	10"	10" X 10"	7/8" X 30"	24 lbs.	9 sq. ft.	4 sq. ft.
24'	SSS-5524-AB-	245 lbs.	10"	10" X 10"	1" X 34"	36 lbs.	11 sq. ft.	5 sq. ft.
27'	SSS-5527-AB-	350 lbs.	10"	10" X 10"	1" X 34"	36 lbs.	7.5 sq. ft.	2.5 sq. ft.
30'	SSS-5530-AB-	396 lbs.	10"	10" X 10"	1" X 34"	36 lbs.	5.5 sq. ft.	3 sq. ft.
35'	SSS-6635-AB-	590 lbs.	12"	12" X 12"	1 1/4" X 48"	72 lbs.	5.5 sq. ft.	1 sq. ft.



SPINA'S STEEL WORKERS CO. LTD.